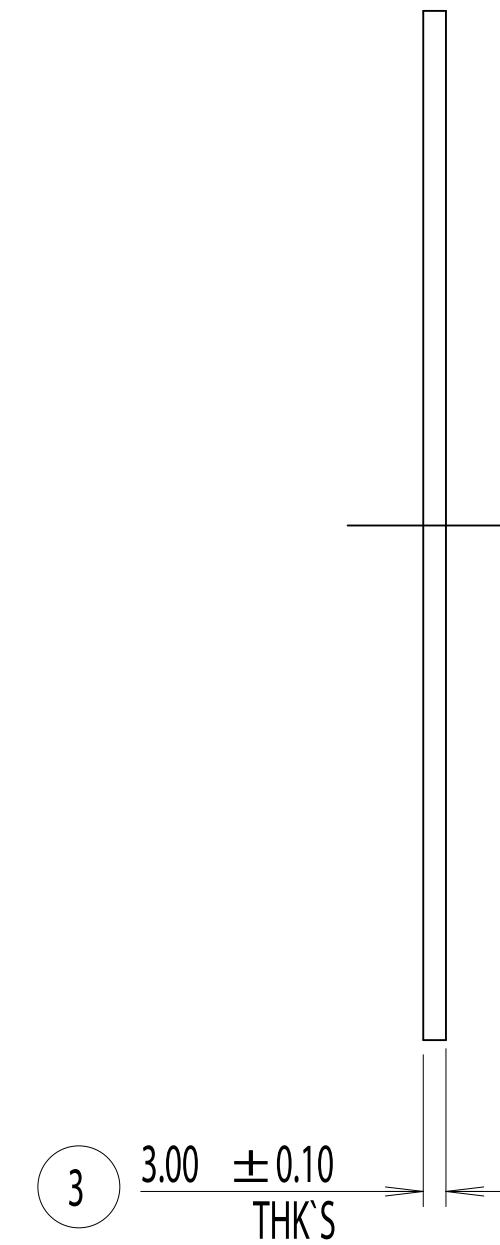
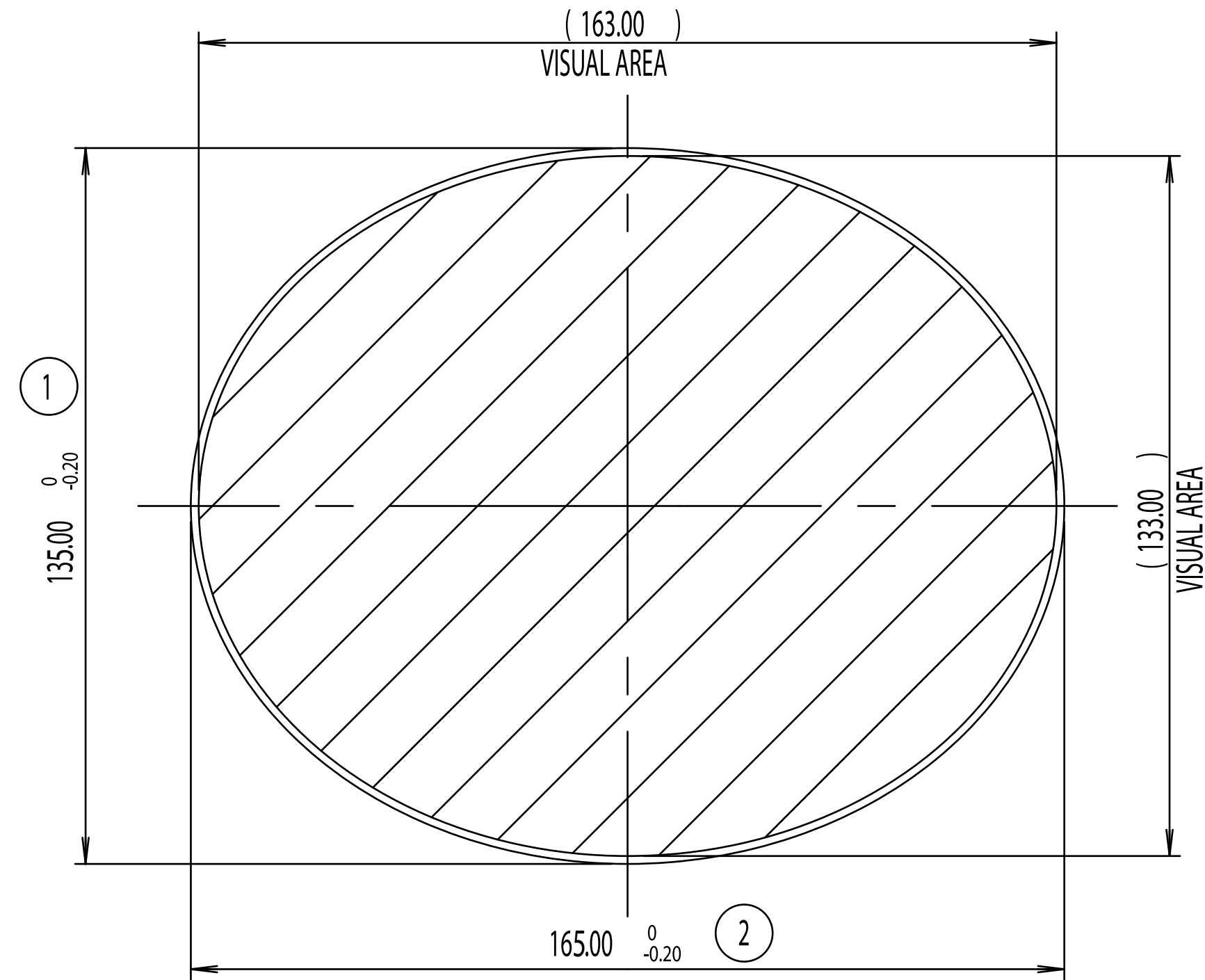


REV.	DESCRIPTION	DRAWN BY	CHECKED BY	DATE
A	INITIAL RELEASE	L.L.YI		2008-5-23
B	RELEASE FOR PRODUCTION	L.L.YI		2008-09-30



Range	0~3	3~15	15~30	30~50	50~120	120~160	160~200
Tol.(+/-)	0.05	0.075	0.10	0.15	0.20	0.25	0.30

NOTES : UNLESS OTHERWISE SPECIFIED

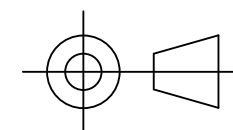
- DO NOT SCALE DRAWING
- SURFACE PROFILE REFER. TO IGES FILE PROVIDED SEPARATELY
- UNSPECIFIED RADIUS: 0.5mm
- DRAFT ANGLE: 0.5°
- PART MUST ROHS COMPLIANT 2002/95/EC.

THIS DRAWING IS THE PROPERTY OF DYNAMICS CHINATEC INDUSTRIES (HK) LTD. THE INFORMATION CONTAINED HEREIN SHALL NOT BE REPRODUCED OR OTHERWISE WITHOUT THE CONSENT OF DYNAMICS CHINATEC INDUSTRIES (HK) LTD.

THIS IS A CAD DRAWING, DO NOT SCALE THIS DRAWING

## DYNAMICS CHINATEC INDUSTRIES (HK) LTD.

THIRD ANGLE PROJECTION



TITLE	PANEL	DWG NO.	670-P05
MATERIAL	PMMA	PART NO.	RP070-670-00
COLOUR	MILKY	SCALE	1X
FINISH	HIGH POLISH	UNIT	MM
		SHEET	1
		OF	1