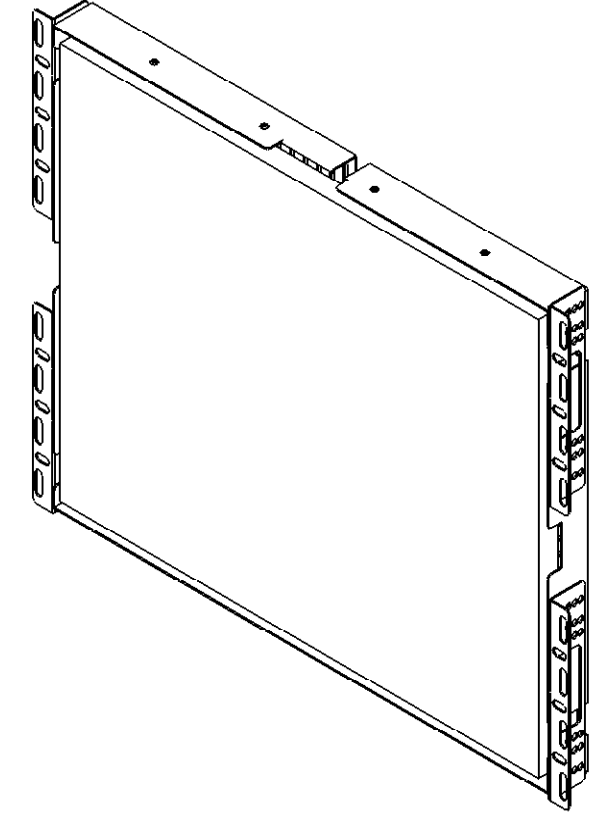
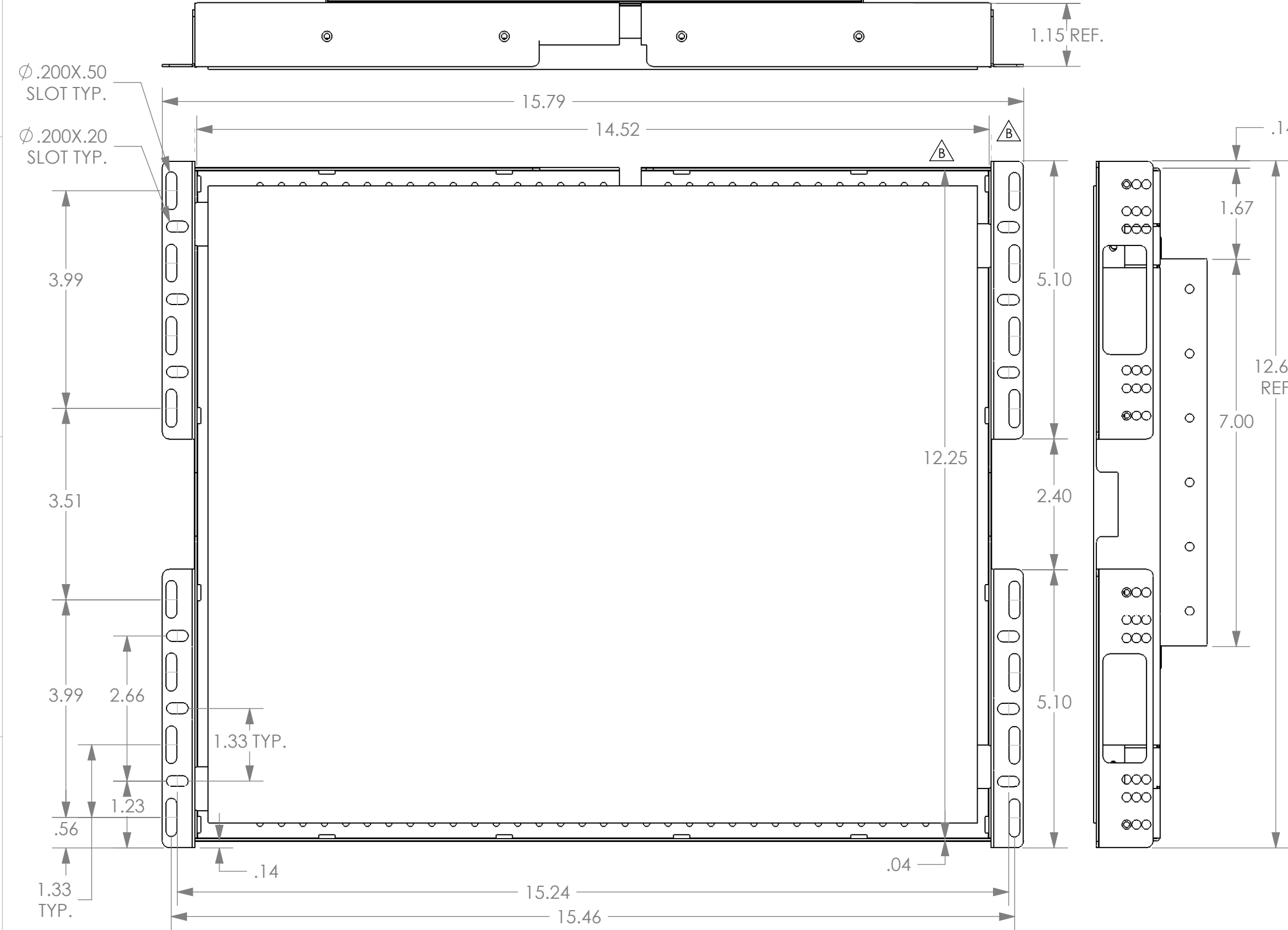


DRAWING NO.
49-2603-30GA

REV.	ZONE	DESCRIPTION	E.C.N. #	BY	DATE
A	-	INITIAL RELEASE	-	JAR	11/28/07
B	-	REDIM. 14.52, ADDED DIM 12.25	25554	JAR	02/04/07



SUZO HAPP
GAMING, AMUSEMENT AND INDUSTRIAL COMPONENTS

DRAWING NAME
17" VISION PRO LCD MONITOR CGA /VGA W/O TOUCHSCREEN GEN III

TOLERANCES ARE:
FRACTIONS DECIMALS ANGLES
 $\pm 1/32$ XX $\pm .01$ $\pm 0^{\circ}30'$
XXX $\pm .005$
UNLESS OTHERWISE SPECIFIED,
DIMENSIONS ARE IN INCHES.

DO NOT SCALE DRAWING.
THIS PRINT IS THE PROPERTY OF HAPP CONTROLS INC.
AND SHALL NOT BE REPRODUCED, COPIED NOR DISCLOSED
TO OTHERS. PRINT TO BE RETURNED UPON REQUEST.

DRAWN BY	JAR	DATE	11/28/07	CHECKED BY		DATE	
SIZE	B	SCALE	FULL	DRAWING NO.	49-2603-30GA		REV.
SHEET			1 OF 1				B