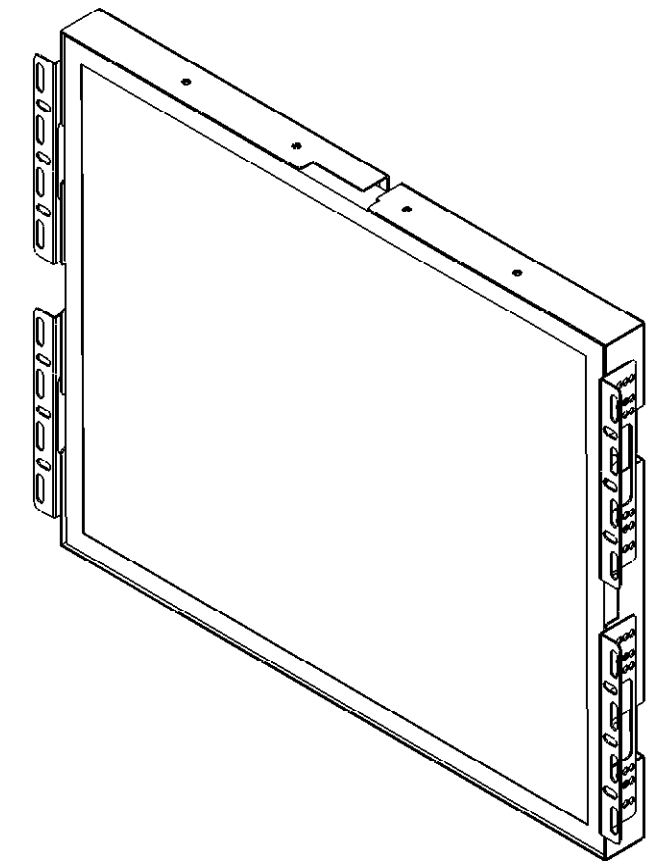
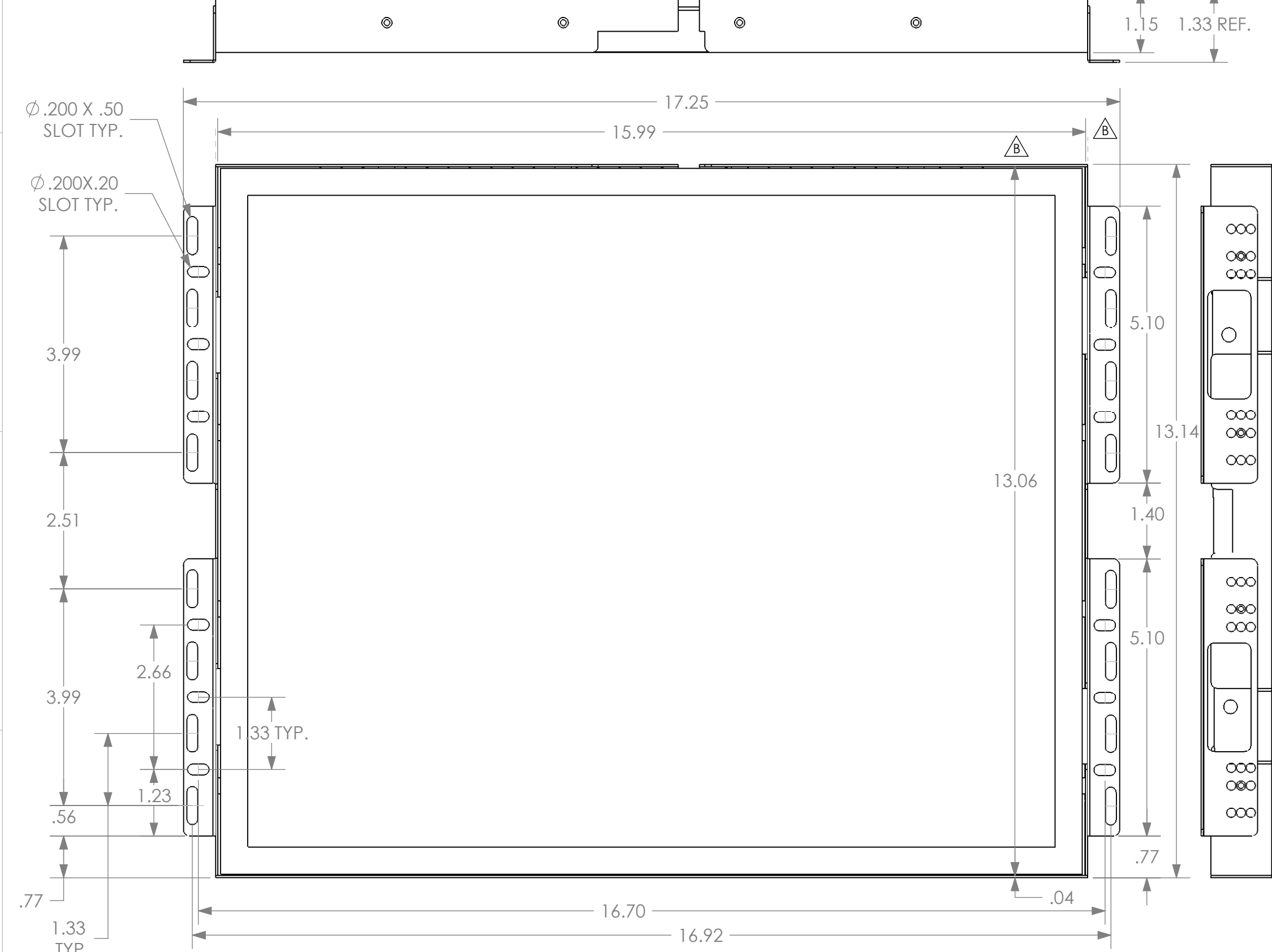


DRAWING NO.
49-2604-30GA

REV.	ZONE	DESCRIPTION	E.C.N. #	BY	DATE
A	-	INITIAL RELEASE	-	JAR	01/17/08
B	-	REDIM. 15.99, ADDED DIM 13.06	25553	JAR	02/04/08



SUZO HAPP
GAMING, AMUSEMENT AND INDUSTRIAL COMPONENTS

DRAWING NAME
19" VISION PRO LCD MONITOR CGA /VGA W/O TOUCHSCREEN GEN III

DRAWN BY	JAR	DATE	01/17/08	CHECKED BY		DATE	
SIZE	B	SCALE	FULL	DRAWING NO.	49-2604-30GA		REV.
		SHEET	1 OF 1				B

TOLERANCES ARE:
FRACTIONS DECIMALS ANGLES
± 1/32 XX ± .01 ± 0°30'
XXX ± .005
UNLESS OTHERWISE SPECIFIED,
DIMENSIONS ARE IN INCHES.

DO NOT SCALE DRAWING.
THIS PRINT IS THE PROPERTY OF HAPP CONTROLS INC.
AND SHALL NOT BE REPRODUCED, COPIED NOR DISCLOSED
TO OTHERS. PRINT TO BE RETURNED UPON REQUEST.