

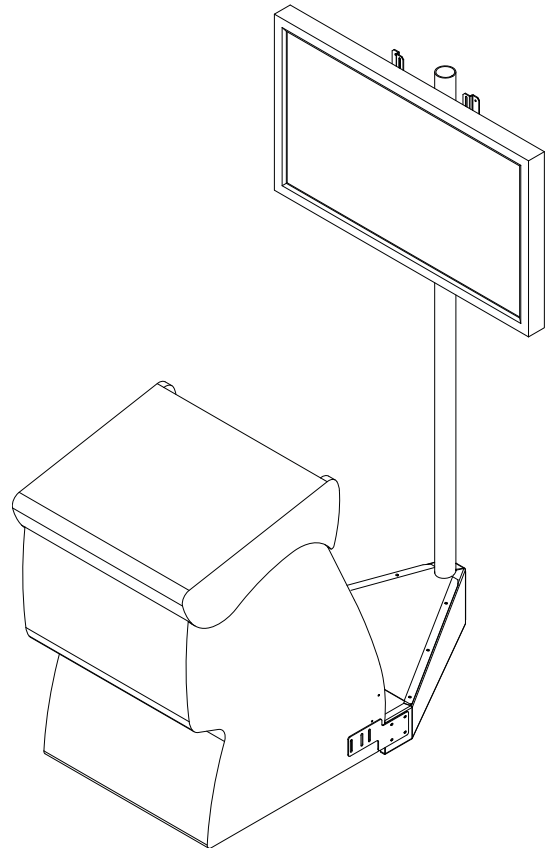
SUZO HAPP

Installation and Assembly: LCD UPRIGHT STAND FOR PEDESTAL CABINETS

Part Number 49-5672-20

FEATURES

- Take all of the guess work out of selecting the proper stand for your pedestal cabinets. This custom stand is specifically designed for use with both Incredible Technologies and FunGlo pedestal cabinets
- Adjustable mounting brackets attach to the front sides of both cabinets by using existing bolts already on cabinets
- Extra long 6 foot pole provides an extremely wide range of height settings to be certain the LCD monitor is the right height to appeal to the players
- Since the stand installs to the pedestal cabinet it maintains the 24" required distance from control panel to LCD
- Internal cable management and base cover provides for a safe clutter-free appearance
- Unique back plate allows two sign brackets (included in the Incredible Technologies Showpiece cabinet) to mount to back of LCD stand
- Supports the full range of VESA mounting standards
- Supports LCD sizes of 32" to 52"
- Max Load 100 lb. screen
- Black color blends well into any location
- Zero degree tilt
- 5-Year warranty
- Ships UPS (47.1 lbs)
- Dimensions 22" to 34"W (Adjustable) x 73.25"H x 30"D

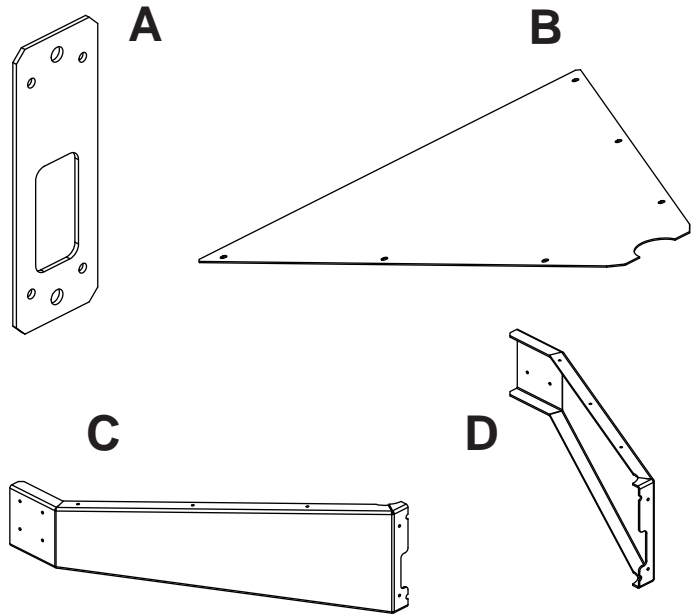


peerless®

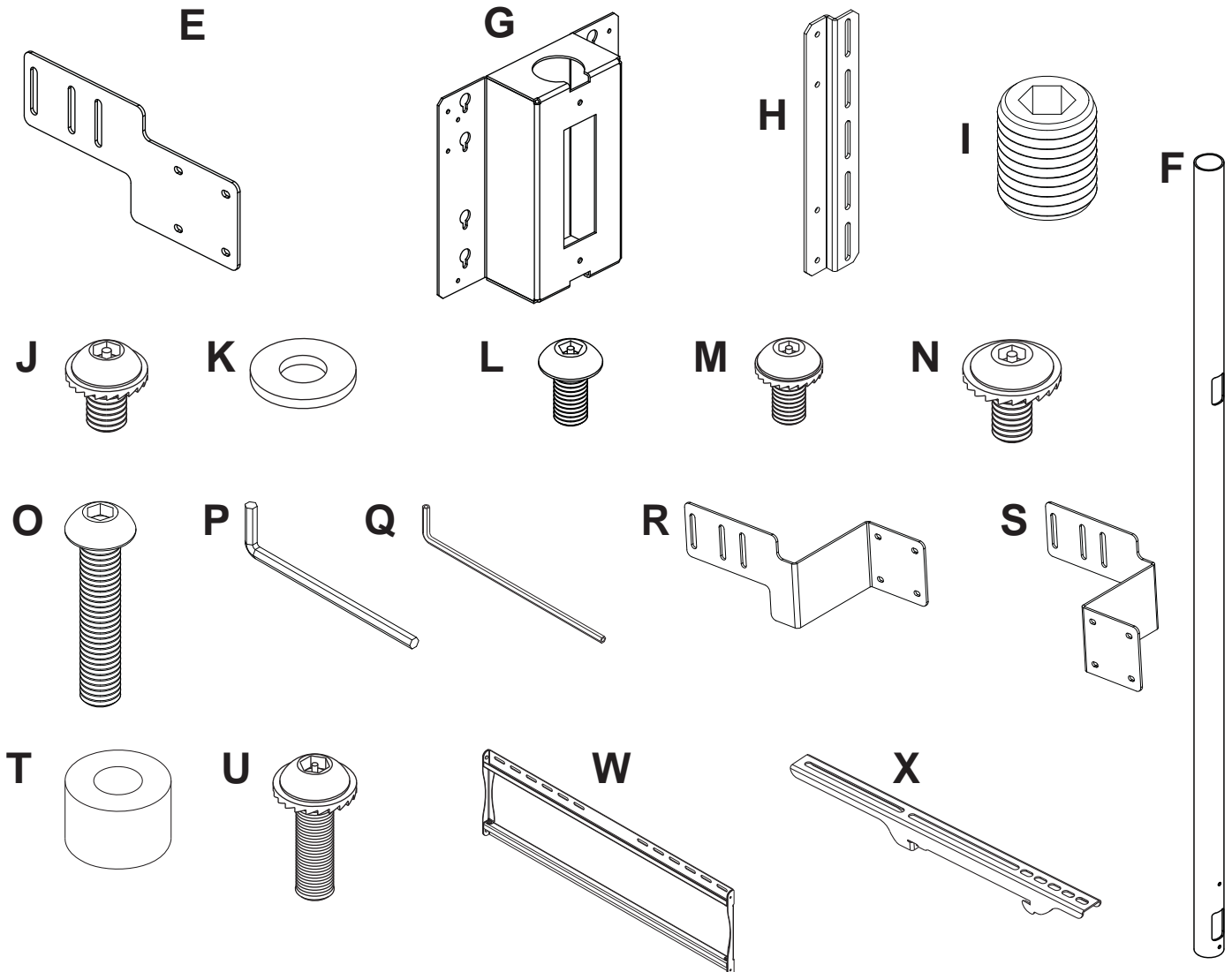
Before you begin, make sure all parts shown are included with your product.

Parts may appear slightly different than illustrated.

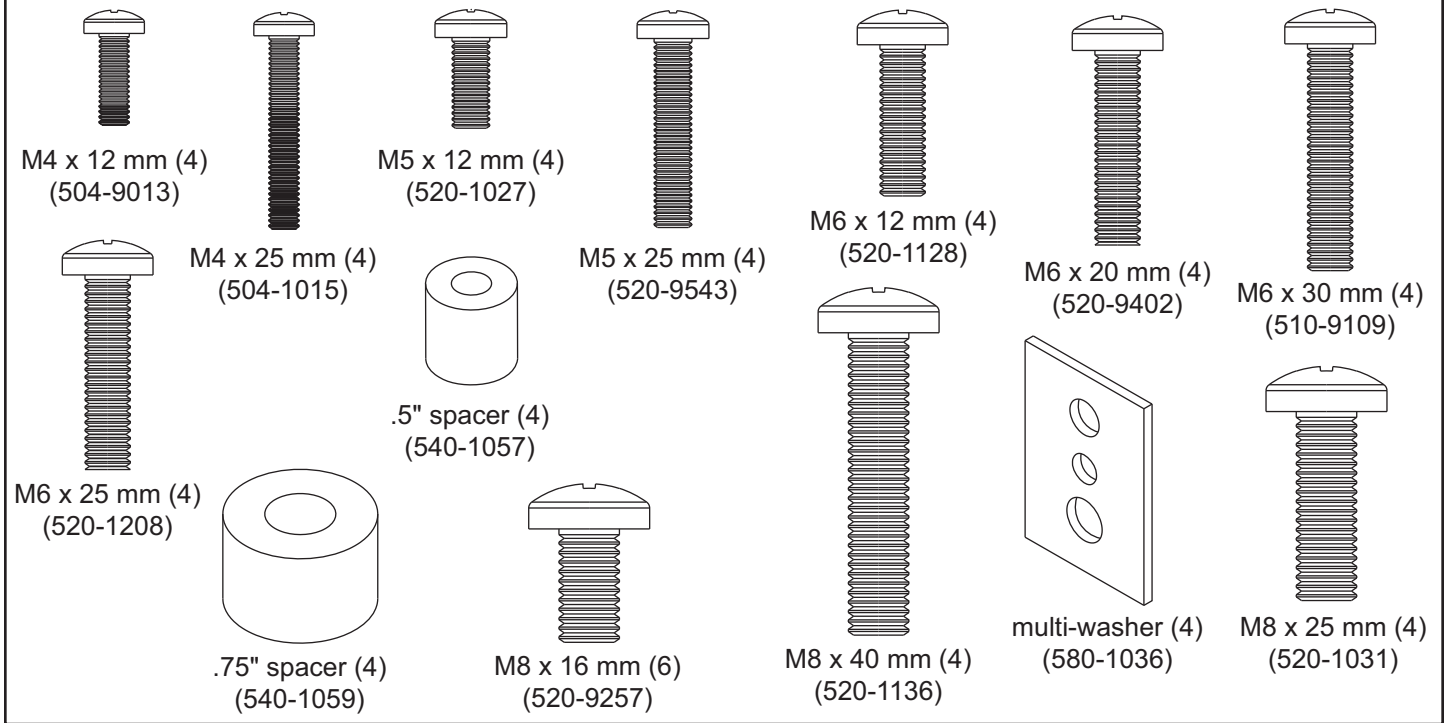
Parts List	
Description	Qty. Part #
A base connection plate	1 125-1018
B base cover	1 125-1019
C base right side	1 125-1021
D base left side	1 125-1022
E side bracket for Incredible Technologies pedestal Cabinet	2 125-1023
F upright tube	1 580-1159
G adapter box	1 125-1025
H adjustment signage bracket	2 124-1995
I 5/16-18 X 1/2 socket set screw	2 500-1081
J M6 x10 socket pin serrated washer head screw	4 510-1066
K 1/4" x .062 flat washer	4 540-9440
L M6 x 8 mm socket pin screw	4 520-1255
M M5 x 10 mm socket pin serrated washer head screw	18 510-1126
N M6 x 12 mm socket pin serrated washer head screw	4 510-1050
O 5/16-24 X 1.25 button screw	2 520-1140
P 3/16" x 1" x 4" allen wrench	1 560-0071
Q 4 mm allen wrench	1 560-9646
* R right Funglo Pedestal Cabinet attachment bracket	1 125-1032
* S left Funglo Pedestal Cabinet attachment bracket	1 125-1033
T .344 ID x .75 OD x .5 HT spacer	4 540-1059
U M6 x 20 mm socket pin serrated washer head screw	4 510-9554
V polyester mesh sleeve (not shown)	1 600-1015
W universal screen bracket	1 201-1504
X adapted bracket	2 201-1510



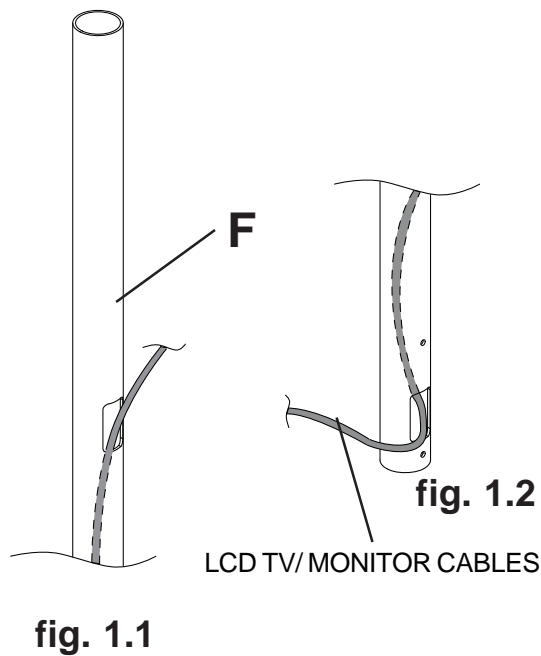
*Used with Funglo



Adapter Bracket Fasteners



1 Feed LCD TV/Monitor cables through top cord management hole of upright tube (F) as shown in fig. 1.1. and through bottom cord management of upright tube (F) as shown in fig. 1.2.

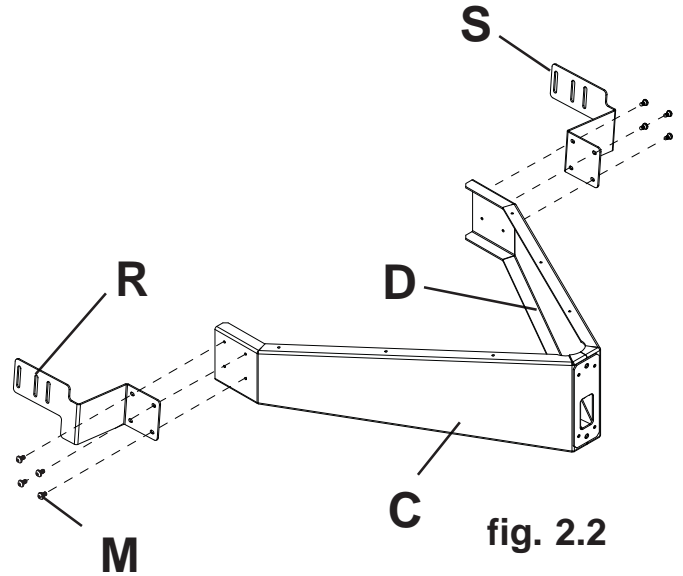
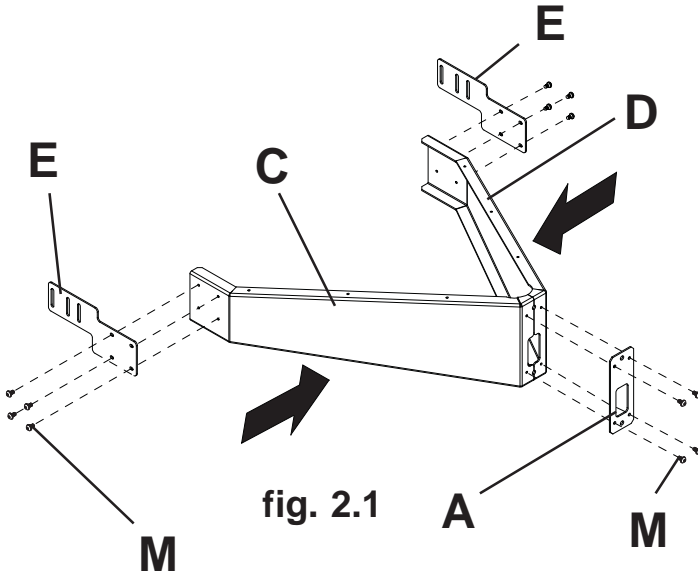


2 Secure base right side (C) to base left side (D) using four M5 x 10 mm socket pin serrated washer head screws (M) and base connection plate (A).

Secure side bracket for Incredible Technologies pedestal Cabinet (E) to base right side (C), and base left side (D) using eight M5 x 10 mm socket pin serrated washer head screws (M) as shown in fig 2.1.

ATTACHING TO FUNGLO PEDESTAL CABINET

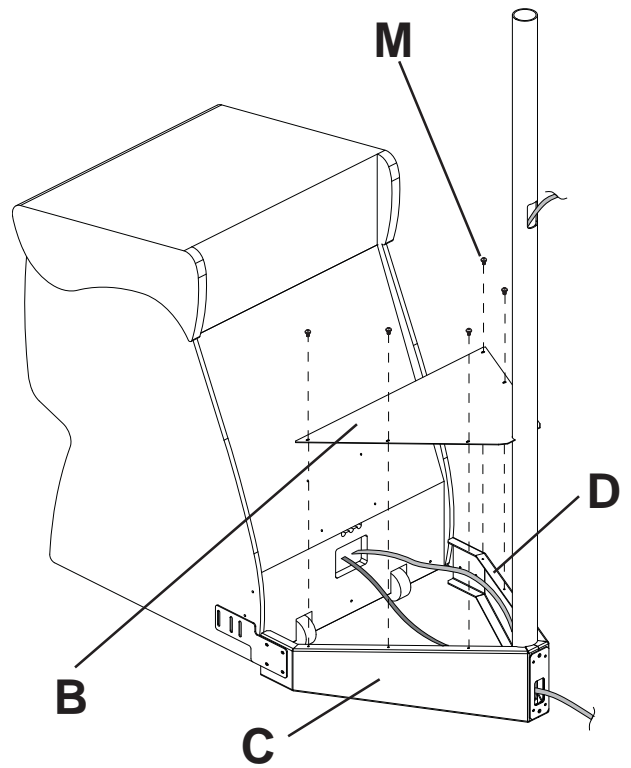
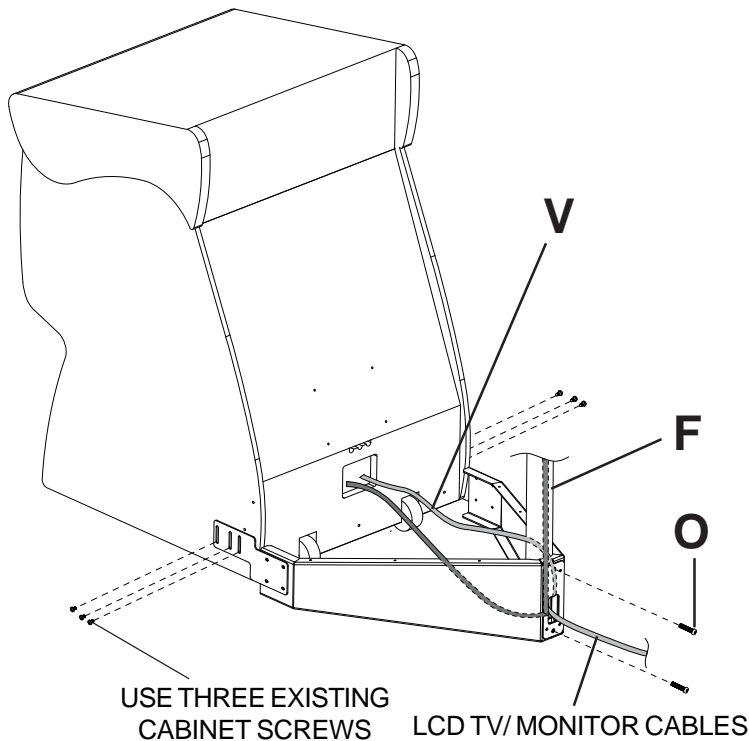
When attaching to Funglo Pedestal Cabinet, secure right Funglo Pedestal Cabinet attachment bracket (R) to base right side (C), and left Funglo Pedestal Cabinet attachment bracket (S) base left side (D) using eight M5 x 10 mm socket pin serrated washer head screws (M) as shown in fig.2.2.



3 Secure upright tube (F) to base (A) using two 5/16-24 x 1.25 button screws (O) with wrench (P). Secure Upright Stand to Pedestal Cabinet using six existing Pedestal Cabinet screws. Use polyester mesh sleeve (V) to help with cord management

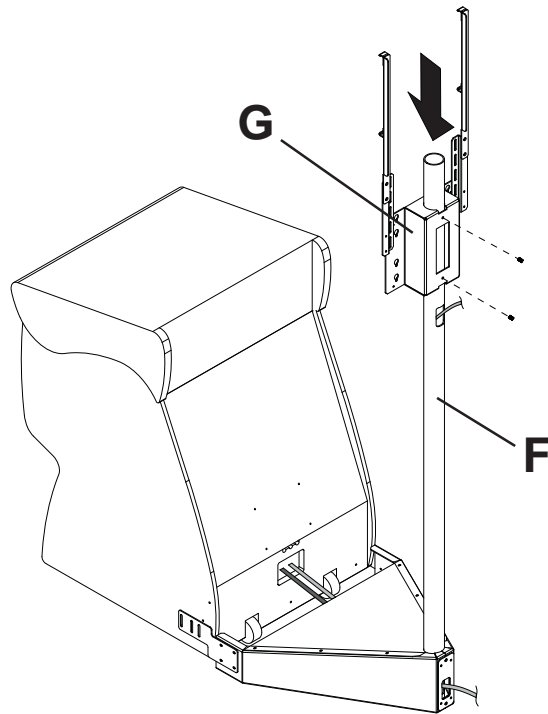
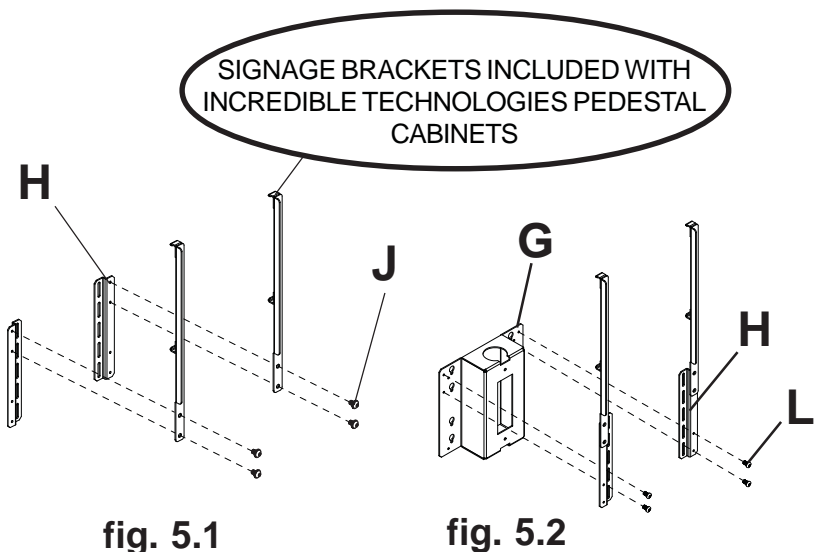
NOTE: Route cords before attaching upright tube (F).

4 Secure base cover (B) to base right side (C) and base left side (D) using six M5 x 10 mm socket pin serrated washer head screws (M).

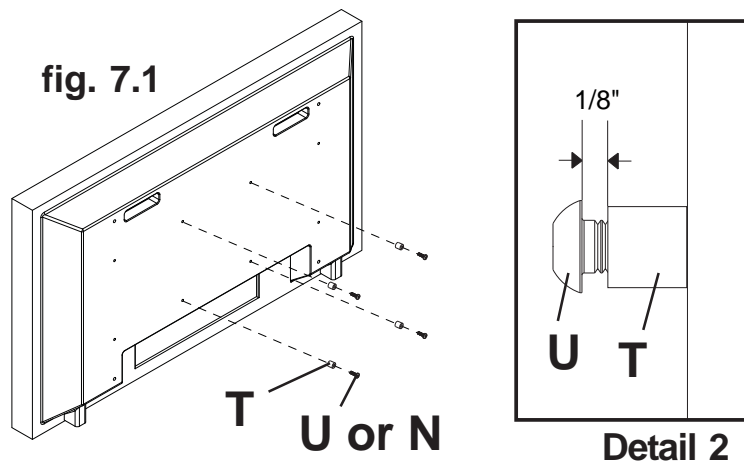


5 Secure two adjustment brackets (**H**) to signage brackets (included with Incredible Technologies Pedestal Cabinets) using four M6 x 10 socket pin serrated washer head screws (**J**) as shown in fig.5.1. Secure adjustment brackets (**H**) to adapter box (**G**) using four M5 x 8 mm phillips pan screws (**L**) as shown in fig. 5.2

6 Secure adapter box (**G**) to upright tube (**F**) using two 5/16-18 x 1/2" socket set screws (**I**). Tighten using 4 mm allen wrench (**Q**).

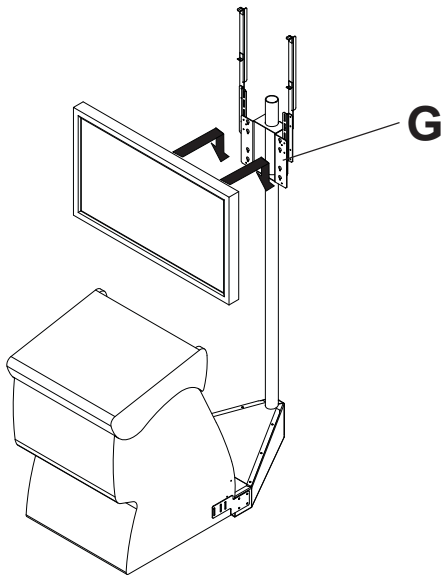


7 Choose mounting hole pattern shown in detail 1. When mounting screen with VESA mounting patterns, hand thread four M6 x 12 mm socket pin serrated washer head screws (**N**) without spacers leaving a 1/8" gap. If there is a bump out on back of screen hand thread four M6 x 20 mm socket pin serrated washer head screws (**U**) through spacers (**T**) into screen leaving a 1/8" gap in between the spacer and the screw as shown in figure 7.1. Detail 2.



MOUNTING PATTERNS		
<p>VESA® 200 X 100</p>	<p>VESA® 200 X 200</p>	<p>SF650 ATTACHMENT</p>
DETAIL 1		

- 8 Hook exposed screws on back of screen into keyhole slots on adapter box (G). Tighten all four screws.



⚠ WARNING

- If screws don't get three complete turns in the screen inserts or if screws bottom out and bracket is still not tightly secured, damage may occur to screen or product may fail.

Universal Screen Bracket Installation

- 9 For screens using hole patterns other than Vesa® 200 x 100 and 200 x 200: Use universal screen bracket included in the kit.

Secure universal screen bracket (W) to adapter box (G) using four M6 x 12 socket pin serrated washer head screws (J) through 1/4" x .062 flat washers (N) using mounting patterns shown in fig. 9.1.

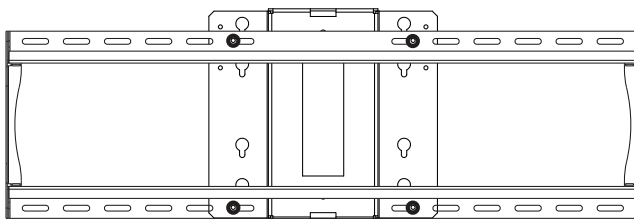


fig. 9.1

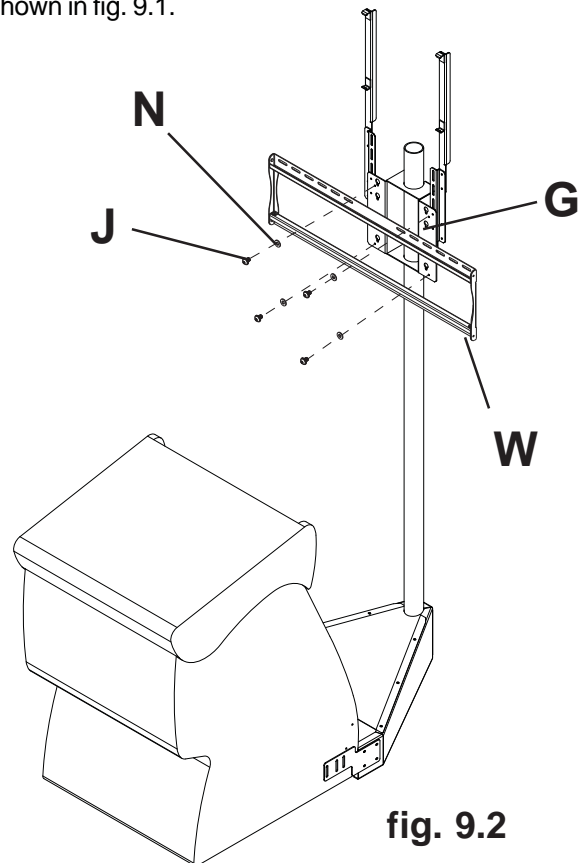


fig. 9.2

⚠ CAUTION

- Be sure to center universal screen bracket to adapter box.
- Screen must not exceed 1" offset to center of universal screen bracket.

For screen compatibility please refer to the LCD or plasma interface list on our website www.peerlessmounts.com or call customer care for a screen specific adapter brackets.

Installing Adapter Brackets

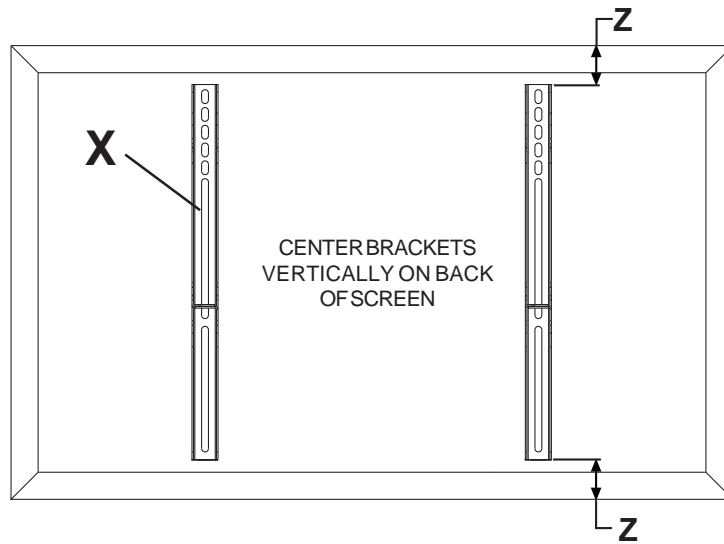
⚠ WARNING

- Tighten screws so adapter brackets are firmly attached. Do not tighten with excessive force. Overtightening can cause stress damage to screws, greatly reducing their holding power and possibly causing screw heads to become detached. Tighten to 40 in. • lb (4.5 N.M.) maximum torque.
- If screws don't get three complete turns in the screen inserts or if screws bottom out and bracket is still not tightly secured, damage may occur to screen or product may fail.

10 To prevent scratching the screen, set a cloth on a flat, level surface that will support the weight of the screen. Place screen face side down. If screen has knobs on the back, remove them to allow the adapter brackets to be attached. Place adapter brackets (**X**) on back of screen, align to holes, and center on back of screen as shown below. Attach the adapter brackets to the back of the screen using the appropriate combination of screws, multi-washers, and spacers as shown in figure 10.1 or 10.2.

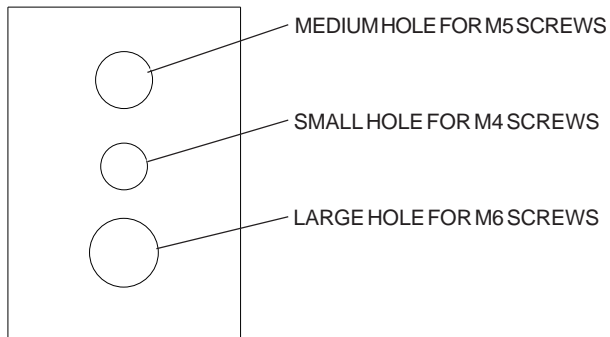
NOTE: Top and bottom holes on screen must always be used.

Verify that all holes are properly aligned, and then tighten screws using a phillips screwdriver.



NOTE: "X" dimensions should be equal.

MULTI-WASHER



Notes:

- The number of fasteners used will vary, depending upon the type of screen.
- Multi-washers and spacers may not be used, depending upon the type of screen.
- Use the corresponding hole in the multi-washer that matches your screw size.

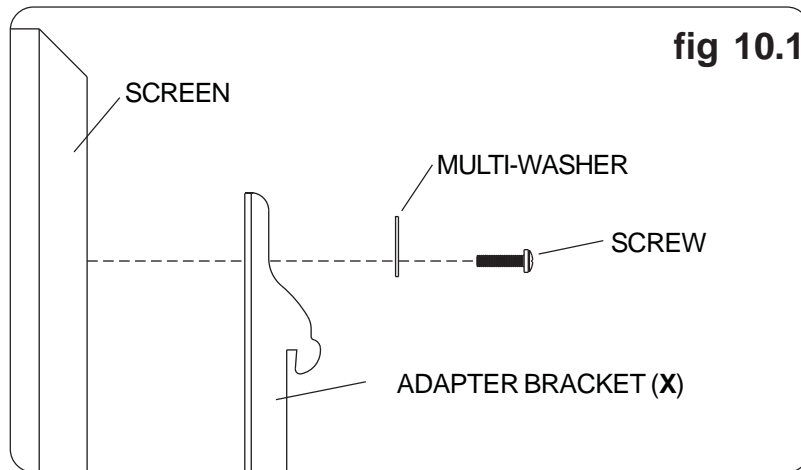
NOTE: For **flat back screens** proceed to step 10-1. For **bump-out or recessed back screen** skip to step 10-2.

For Flat Back Screen

10-1 Refer to **Screen Compatibility Chart** to determine the proper fastener to use. Visit www.peerlessmounts.com/2 for a full screen compatibility chart for this mount.

Begin with the shortest length screw, hand thread through multi-washer and adapter bracket (X) into screen as shown below. Screw must make at least three full turns into the mounting hole and fit snug into place. Do not over tighten. If screw cannot make three full turns into the screen, select a longer length screw from the baffled fastener pack. Repeat for remaining mounting holes, level brackets and tighten screws.

NOTE: Spacers may not be used, depending upon the type of screen.

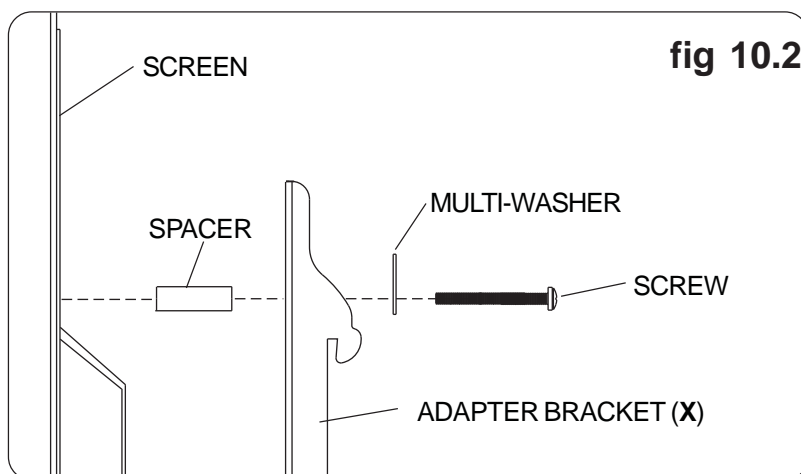


If you have any questions, please call Peerless customer care at **1-800-865-2112**.

For Bump-out or Recessed Back Screen

10-2 Refer to **Screen Compatibility Chart** to determine the proper fastener to use. Visit www.peerlessmounts.com/2 for a full screen compatibility chart for this mount.

Begin with longer length screw, hand thread through multi-washer, adapter bracket (X) and spacer in that order into screen as shown below. Screw must make at least three full turns into the mounting hole and fit snug into place. Do not over tighten. If screw cannot make three full turns into the screen, select a longer length screw from the baffled fastener pack. Repeat for remaining mounting holes, level brackets and tighten screws.



If you have any questions, please call Peerless customer care at **1-800-865-2112**.

Mounting and Removing Flat Panel Screen

⚠ WARNING

- Always use an assistant or mechanical lifting equipment to safely lift and position the flat panel screen.

11 Hook adapter brackets (**X**) onto universal screen bracket (**W**). Then slowly swing screen in as shown. Turn safety/security screws, using security allen wrench, clockwise at least six times to prevent screen from being removed as shown in cross section of fig. 11.1. Screen can be adjusted horizontally if desired as shown in figure 11.2.

NOTE: To lock the screen down, tighten safety/security screws to universal screen bracket (**W**) as shown in cross section.

To remove screen loosen safety/security screws, swing screen away, and lift screen off of universal screen bracket (**W**).

CAUTION

- Do not tighten screws with excessive force. Overtightening can cause damage to mount. Tighten screws to 40 in. • lb (4.5 N.M.) maximum torque.

