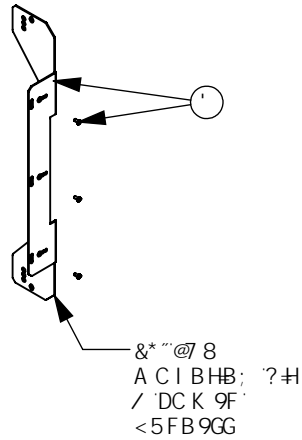
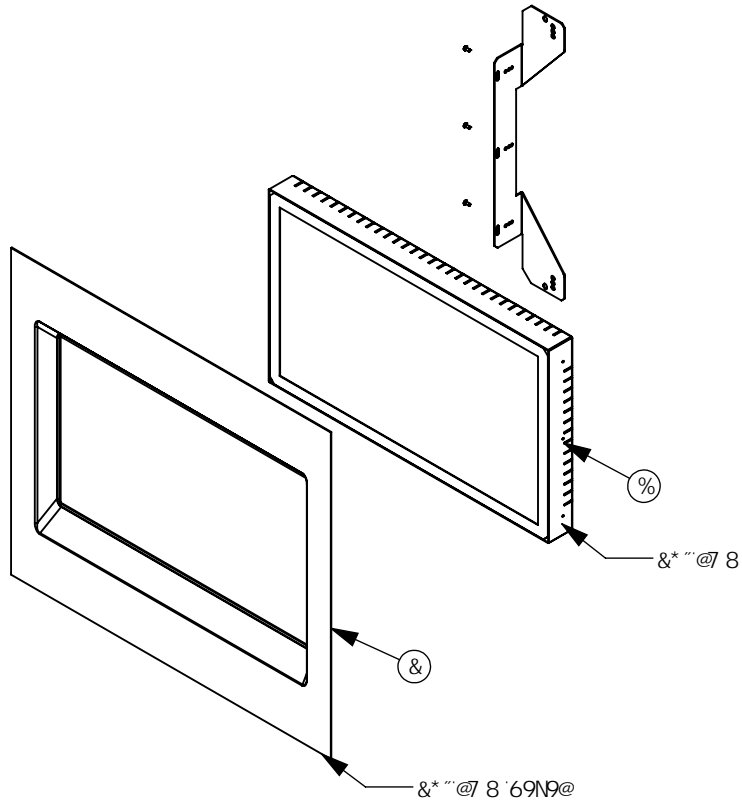
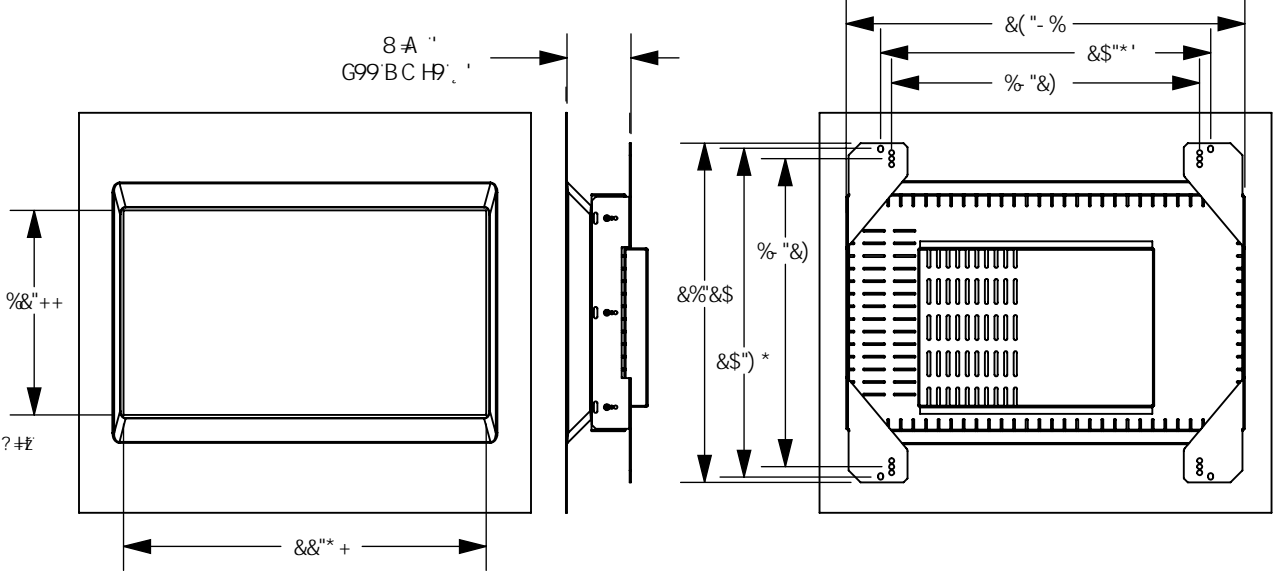


&*''@78 7C BJ 9FG-CB ?+HG

#PA BC"	E HM	D5FHBC"	89G7 F-DHC B
%	%	(-1& *%\$\$	A 5?J GCB &* "A I @#GMB7 CD9B : F5A 9@7 8 7; 5#L: 5
&	%	(-!+* &+!LL	D@5 GH7 69N9@: #8) "A C B H C F", +5%
'	%	(-1&-\$! ?+H	&*''@7 8 A C I B HB; ?#15B8 DC K 9F <5FB9GG



BC HPG
 %L#PA GD5FHC: (-1&-\$! ?+H'fR*''@7 8 A C I B HB; ?#15B8 DC K 9F <5FB9GG
 !(-1&-\$!\$\$: G89A C I B HB; 6F57?9H: C F &*''@7 8 7 C BJ 9FG-CB ?+HE HMFRL
 !%(\$!\$%!(&& G7F9K A (L %\$A D<: <njbWE HMTL
 !(-1&-\$!\$\$ <5FB9GG585DH9F DC K 9F E HM fR#fH9A BCHG-CCK BLC
 &L' &*''@7 8 69N9@f(-!+* &+!LL5B8 &*''@7 8 f(-1& *%\$\$E5F9B fHD5FHC: (-!&-\$! ?+H
 H C G9 #PA G5F9GC @8 G9D5F5H9 @9 9-B8 # 8 I 5@#PA G
 'LE8A ' 7C I @8 6958 > GH98 HC Hk9: C @C K B; 8-A G/("+Z'("\$Z' "+\$Z' ") "



BG\$%+-

R UVCNNC VQ P R UVTWE VQ P UHQ T "486NEF 'EQP XGTUQP MKV
 TQT O K F Y C I F T K R I ' ECDR GVU
R UVTWE VQ P U V Q T G O Q X G X I C O Q P K Q T H I Q O O K F Y C I ' ECDR GV
 *****WPRNW 'CNNROY GT NR GUHQO 'QWNGV'CPF TGO QXGRQY GT EQTF HI QO 'WP K
 *****QRGP 'CPF TGO QXG'CNN'ECDR GV F QQTU "DCEMF QQT(' HI QP VDG, GN0
 *****50F KEQP P GE V R Q Y GT 'RNM 'HI QO 'GZ RVGP VETV "47SQT "49S-

 "Y CTPR I ##H I QWCTG R V J GNGCUV WPUW G J Q Y 'VQ RTQEGGF Y K J 'O CMR I 'UMT G V J G'
 ETV R HANN 'FHEJ CTI GF EQP VCEV 'C S WCNHGF 'O QP K Q T UGT XHE G V GEJ PHE KCP O'
 VJ GT G C T G R Q V G P V C N N ['NGV CN XQNVCI GURT GUGP V G X G P H V J G W P K V C U D G G P "
 WPRQY GT GF 'CPF WPRNW I G HQT C RGTQF QHVHO G
 *****FHEJ CTI GCP I 'UVQTF XQNVCI GHI QO 'VJ GETVODGHQTGTGO QXR I 'ETV "O QP K Q T 40"
 *****Y J GP TGO QXR I 'CEVNCN'ETVUCXG V J G * 7B8/3: P W C P F URT R I 'Y C U J G T U'
 *****HI QO 'VJ GHQWT EQTP GTUCU V J GUGY KNDG WUGF 'VQ CVVCEJ 'VJ GHFCO GQP 'VJ G'
 *****O CR 'HTCO G'ECDR GV
 *****7-ENGCP 'ECDR GV Y K J 'C K 'URTC ['CPF IQT UQHVDTWUJ O'
R UVTWE VQ P U V Q P R UVCNN 48\$NEF 'EQP XGTUQP MKV"
 30Veng'pgy 'o qwpkpi 'cf cr vt "dtcengu" * 6; /4; 28/22+cpf "o qwpvj go 'q'vj g'li j v'cpf 'ghn'ukf gu"
 *****qh'j g'pgy "48\$NEF . 'wukpi 'uco g'uetgy u'j cv'eqo g'y kj 'NEF . " % 6Z0Z80 O 'uetgy u
 *****6'uetgy u'gkj gt 'ukf g-0"
 40Y kj 'j g'pgy "dtcengu" o qwpvgf 'qp'vj g'NEF 'r'ceg'k'q'xgt 'gz'kukpi 'o qwpkpi 'j qru"
 *****Hqo 'y j lej 'j g'qnf 'ETV' y cu' o qwpvgf "
 50Rnw 'E I C 'qt 'X I C 'epppgevqt 'Hqo 'j g' i co g'dqctf 'qwr w'lpvq 'j g' lpr w'uge'vqp"
 *****qh'j g'48\$NEF "
 60Rnw 'pgy 'r qy gt 'j ctpguu" * 6; /4; 22/22+Hqo 'j g' h'k'lpvq 'j g'gz'kukpi 'r qy gt 'r nw 'j y gt g'j g'ETV"
 *****y cu' r qy gt gf 'Hqo 'cpf 'r nw 'q'j gt 'gpf 'lpvq'NEF "
 70kpuem'j g'ewuqo 'h'wgf 'dg' gn" * 6; /9849/ZZ +vq'j g' Hqpv'q'h'j g'ecdkpgv" P qvq- f gr gpf kpi 'qp' f gr vj 'qh'
 *****ecdkpgv o qwpkpi 'j qng' r qukkp' u' o k j vj cxg 'q' dg' cf lwugf 'q' r tqxk' g' dguw' h'k-0
R UVTWE VQ P U V Q U G V W R N E F Q P O K F Y C I U E C D R G V U

 *****3-<Y J GP 'VJ G W P K 'R U R Q Y G T G F 'W R V J G I T G G P 'N G F 'Q P 'VJ G N E F 'T G O Q V G E Q P V T Q N D Q C T F "
 *****U Q W N F 'N K J V W R O
 *****4-<V J G' E C D R G V 'Y K N D G G R 'C U V J G W P K 'T W P U V J T Q W J 'K W U R Q Y G T 'W R U G S W G P E G O
 *****5-<R T G U V J G 6 C W W Q 6 'D W V V Q P 'Q P 'VJ G N E F 'T G O Q V G E Q P V T Q N D Q C T F 'V Q 'N Q E M 'V J G N E F "
 *****O Q P K Q T 'V Q 'V J G X H G Q 'U H P C N D G R I 'U W R R N G F 'D I 'V J G I C O G' E C D R G V O
I G P G T C N R H Q T O C V I Q P
 *****3-<V J K U 48\$NEF 'EQP XGTUQP MKV R U H Q T 'E W T T G P V M P Q Y P 'H M P E V I Q P R I 'O C E J R P G U
 *****40' U E T G Y U 'O 6 Z 3 2 0 O 'R J 'H V J F " 3 6 2 / 2 3 2 / 6 4 4 + Y K N D G W U G F 'Q P N I 'H Q T 'D N K A ' ; ; . "
 *****P D C 'U J Q Y 'V K O G E C D R G V U H Q T 'V J G T G U V 'Q H E C D R G V U Y K N D G W U G F 'U C O G U E T G Y U
 *****V J C V E Q O G Y K J 'N E F . " % 6 Z 0 Z 8 0 O 'U E T G Y U 6 'U E T G Y U G K J G T 'U E F G "
 *****5-<V Q 'R UVCNN 48\$NEF 'DG, GN6; /9849/E'QP 'SK' I V I QNH'ECDR GV. 'ECDR GVP GGF U V Q 'D G
 *****O Q F K H G F 'V Q 'R E T G C U G R U E F G Y K F V 'F I O 'C D Q W " 3 5 \$ 4 S 'G C E J 'U E F G -
