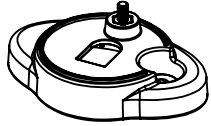
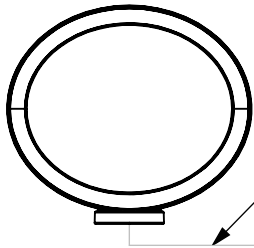


INSTRUCTIONS TO MOUNT RGB TOPPER ON BALLY SUPER CANDLE

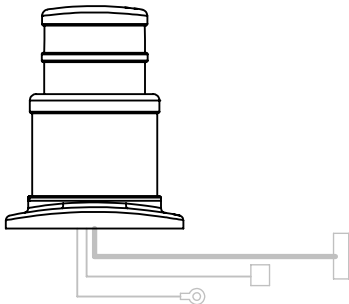


95-0034-00
TOP COVER WITH SCREW
FOR SUPER CANDLE

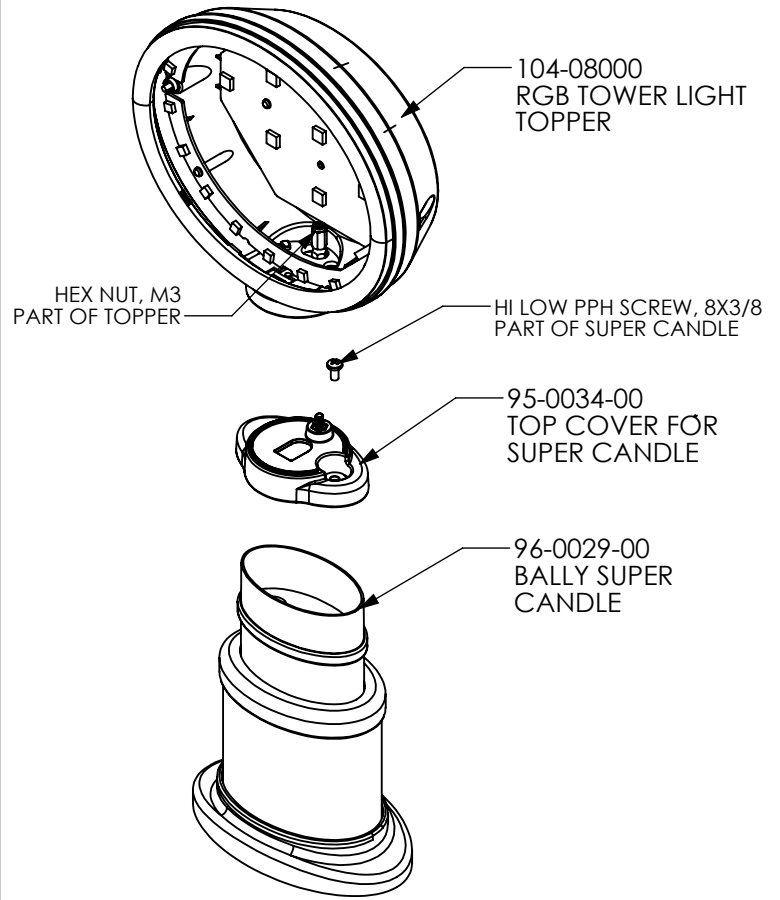


104-08000
RGB TOWERLIGHT TOPPER

HARNESS
RE078-670-02



96-0029-00
BALLY SUPER CANDLE



NOTES:

- Open RGB tower light topper, remove front bezel, plexiglass and harness RE078-670-02
- Remove top cover from Bally super candle
- Arrange the topper power harness through the supercandle from the bottom to the top with 2 pins connector facing up.
- Install top cover 95-2860-00 on super candle, using same screw that come with supercandle.
- Mount RGB tower light topper over supercandle using Hex nut, M3.
- Plug harness 2 pins connector (R078-670-02)to RGB topper LED board connector J9
- Install back plexiglass & front bezel on RGB topper
- For more information to setup and install RBG tower light topper refer to RGB tower light topper Manual.

