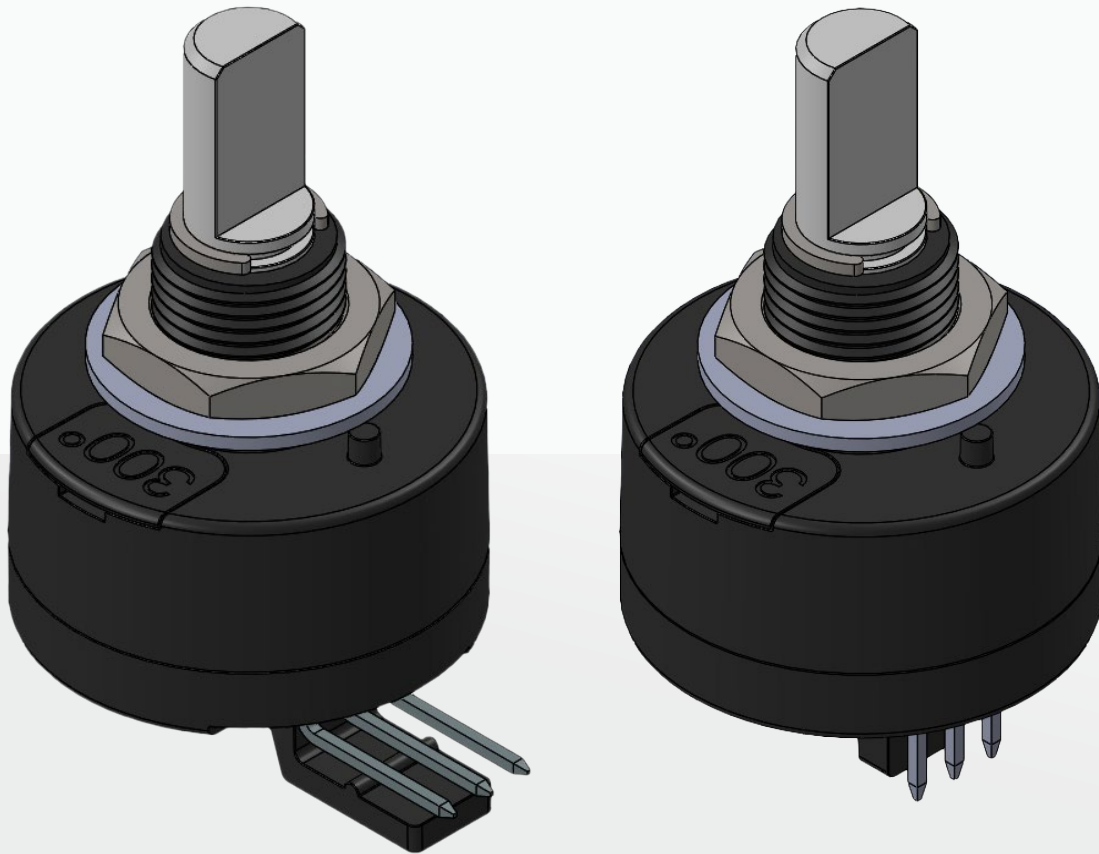


Digital Potentiometer




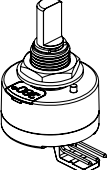
A digital alternate to traditional resistive styles of potentiometer products, programmed according to customer requirement, at time of manufacture.

Key Features

- Greatly increased operational life due to non-contact design, as compared to traditional resistive style products
- Pre-selected for Clockwise or Counter-Clockwise output voltage direction
- Option for vertical or horizontal connectors
- Output voltage 0v to +5vDC over the range of programmed angle
- A harness is provided, providing customers with options on connection method
- Anti-rotation pin for panel mounting
- 3/8-32 thread with mounting nut and washer provided
- Operating voltage 5vDC
- Product life > 0.5 million operations

Digital Potentiometer

Part Number Configuration

PRODUCT GROUP	CONNECTOR TYPE		OUTPUT VOLTAGE DIRECTION		DEGREES ROTATION				
	STRAIGHT (STR)	RIGHT ANGLE (RA)	CLOCKWISE (CW)	COUNTER CLOCKWISE (CCW)	270	280	300	314	360
KXS									

Example Part Numbers:

- Part no. KXSSTRCW300
- Part no. KXSRACW314
- Part no. KXSSTRCCW360
- Part no. KXSRACCW270

From Old Part Numbers to New Ones:

Part Numbers



50-2670-00, 50-3127-00,
50-2032-00, 220-5373, 220-5484,
220-5374, VG75-03824-00,
VG75-05464-00, VG75-07050-00

Replaced by



KXSRACW300

Part Numbers



96-4916-00, 50-8026-00,
50-2064-00, 50-8026-02,
50-8081-00

Replaced by



KXSRACW314

Part Numbers



96-2087-00

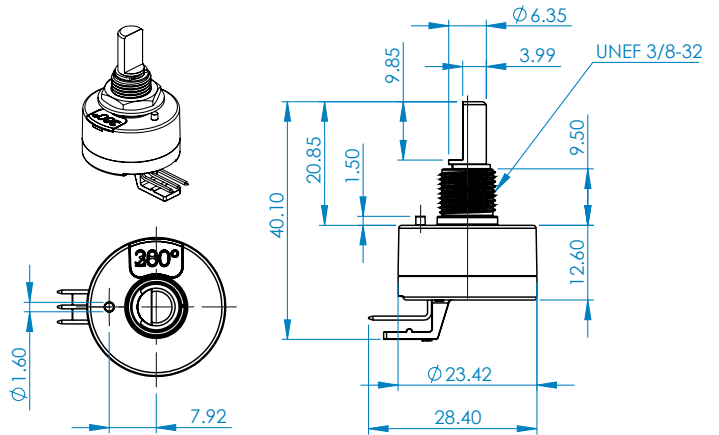
Replaced by



KXSSTRCW280

Detailed Technical Drawings

DIGITAL POTENTIOMETER RIGHT ANGLE CONNECTOR



DIGITAL POTENTIOMETER STRAIGHT CONNECTOR

