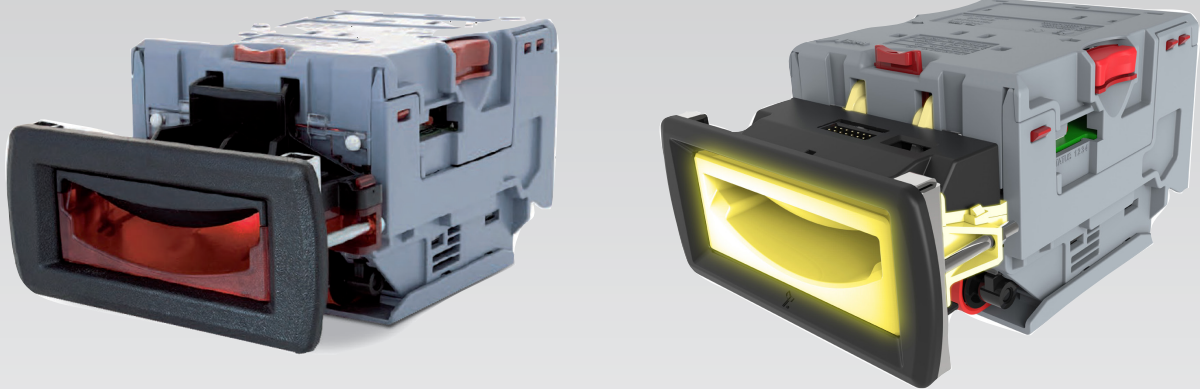


NV10 USB+

Compact Stackerless Banknote Validator



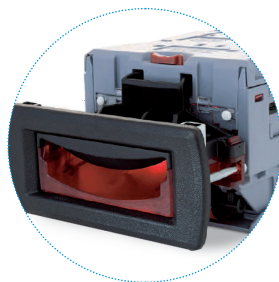
The NV10 USB+ is a compact, stackerless banknote validator suitable for most applications. Accepting over 100 different world currencies the NV10 USB+ is a truly global product. A field proven validator the unit supports industry standard protocols, is simple to integrate and maintain. The NV10 USB+ is ideal for amusement and vending applications and comes with two bezel width options depending on currency.

Features

- ✓ Compact stackerless design
- ✓ Enhanced sensing technology
- ✓ Proven field reliability
- ✓ Future proof
- ✓ One build standard for Global Applications
- ✓ Easy maintenance, free firmware updates
- ✓ Over 100 different world currencies accepted

Benefits

- ✓ Suitable for most applications
- ✓ Lowest cost of ownership
- ✓ Simple integration
- ✓ Future proof - quick & easy updates via USB, PC or handheld programmer

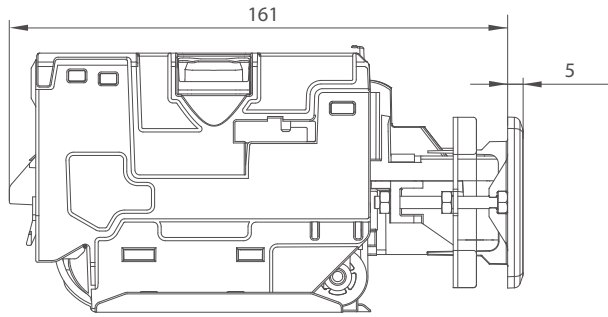


Metal front plate

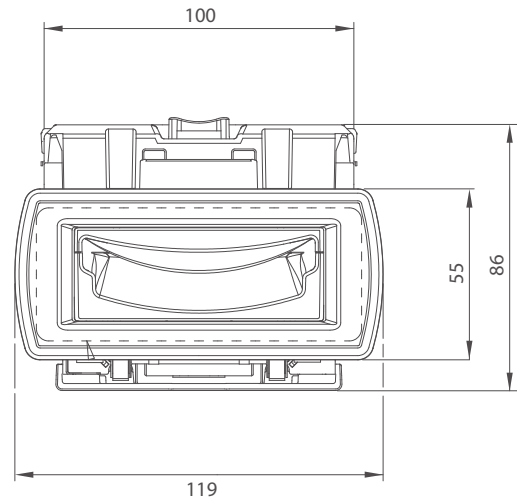


Practical opening button

Technical Schematics



Unit of measure: mm



Tools

DA2 kit

Kit for programming, configuration and diagnostics



DA3 kit

Kit for programming and configuration on field



DA3 Easy

Easy and intuitive kit for programming on field



Protocols

- ✓ SSP
- ✓ ccTalk
- ✓ MDB
- ✓ Pulse
- ✓ Paral
- ✓ Binary
- ✓ Serial

Interfaces

- ✓ USB option
- ✓ Open collector

Bezel Options

- ✓ 66/82mm width
- ✓ Extended
- ✓ Rainbow illumination

Optional Accessories

- ✓ Adaptor plate from NV10 to NV5
- ✓ AGCAVOSMILENV10: cable for adapting an NV10 connector to an NV5
- ✓ AGCAVOSMILE: cable for connecting the banknote reader to its host machine in parallel mode. Available lengths: 20 - 50 - 100 - 150 cm
- ✓ AGCAVOSMILEPULS: cable for connecting an NV10 in pulse mode. Available lengths: 100 and 200 cm

Technical Specifications

Dimensions (LxHxW)	119 x 86 x 166 mm
Weight	550 g
Power supply	12 Vdc +/- 10% (MDB version: min. 23 V - max 42 V)
Power consumption	0.2A Standby - 1A Running - 1.5A Peak
Operating temperature	0 °C ÷ 50 °C - 5 ÷ 95% humidity non-condensed
Banknotes accepted	up to 82 x 160 mm
Recognisable banknotes	up to 15 different banknote denominations in ccTalk, serial, pulse and binary validation modes, 4 banknotes in parallel mode
Acceptance speed	3 seconds
MCBF	200.000